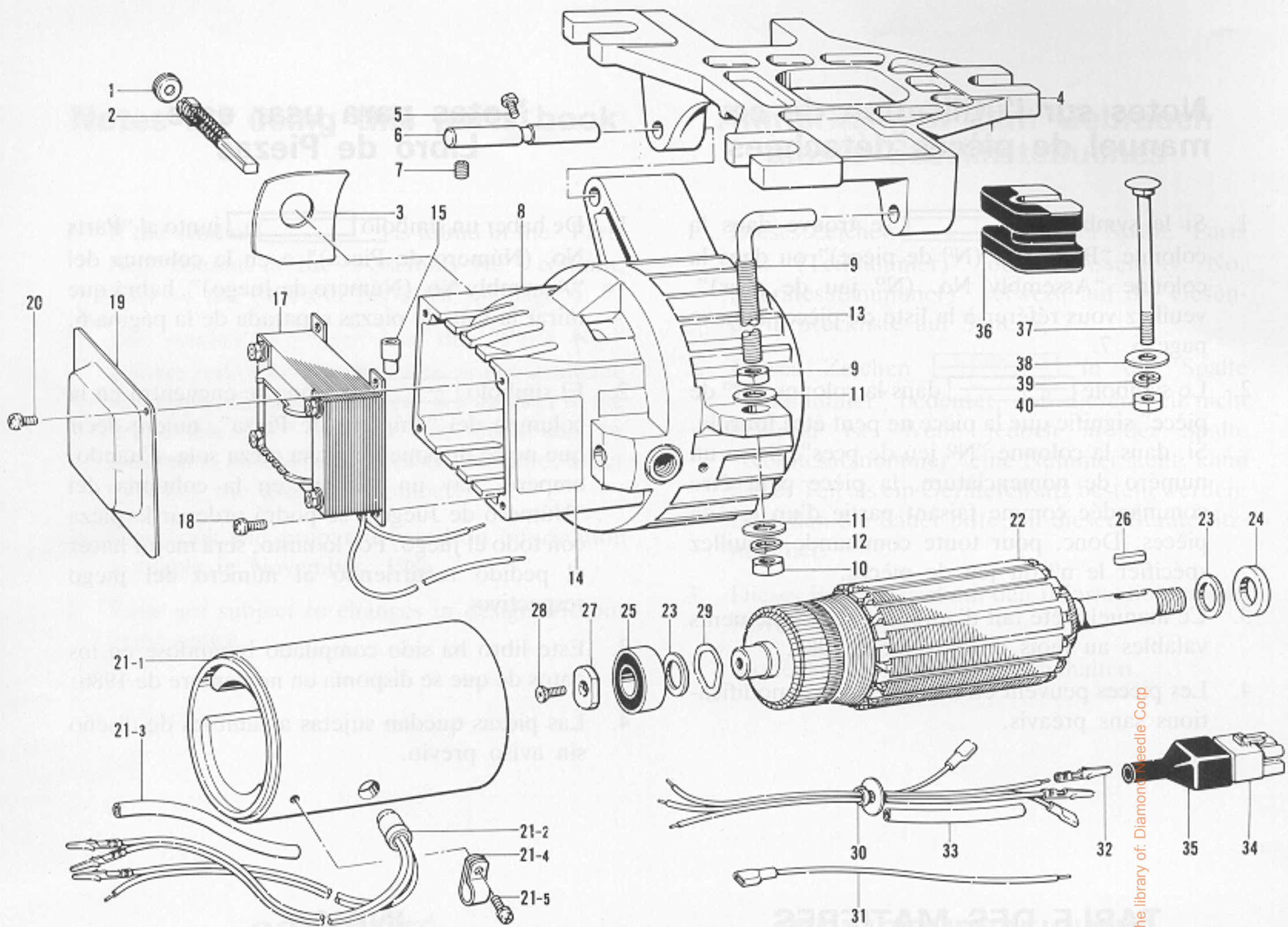
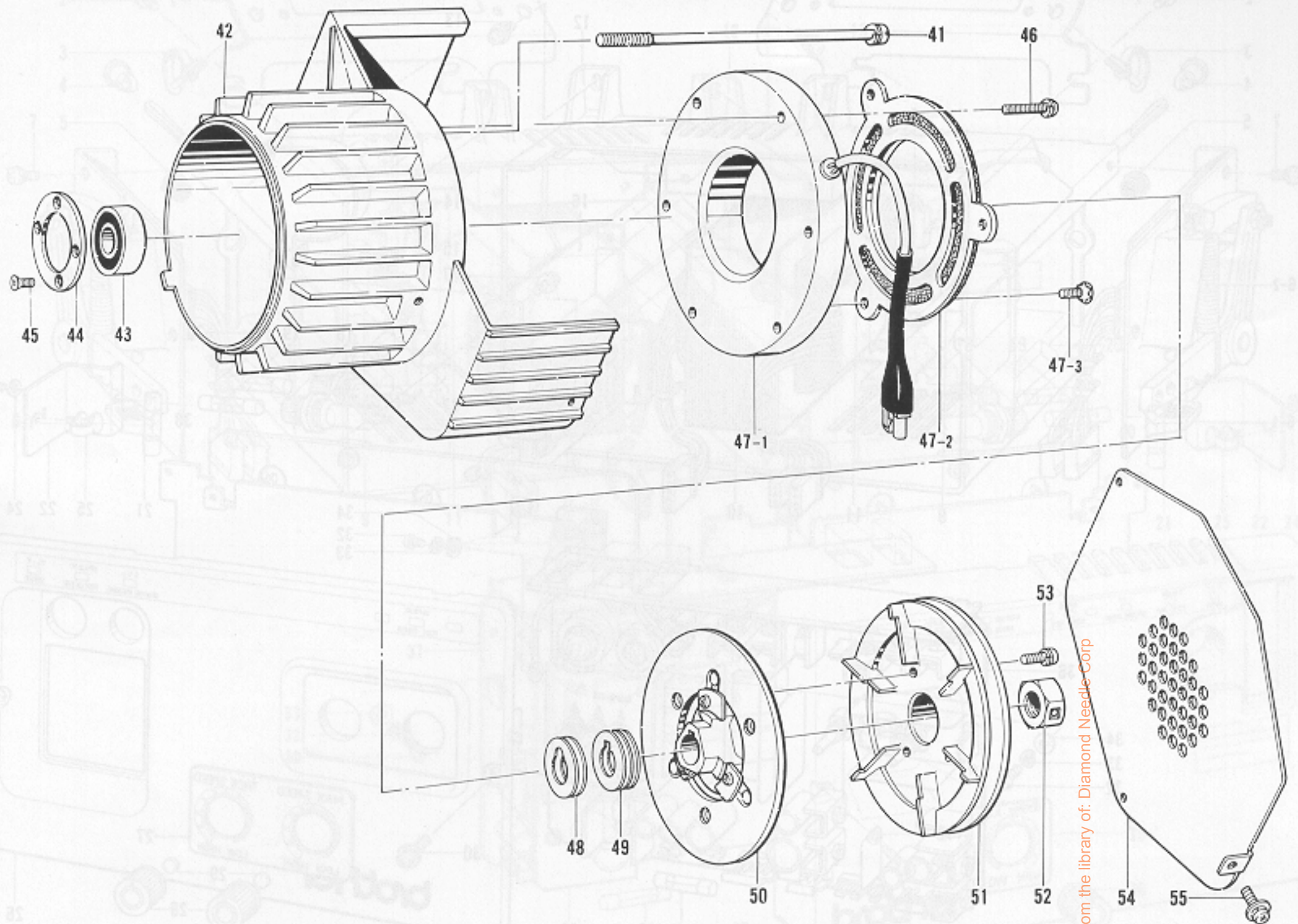


A. Motor Mechanism (1) / Motors (1)
 Mécanisme du Moteur (1) / Mecanismo del Motor (1)



Ref. No.	Name of Parts	Q'ty	Parts No.	Assembly No.	Ref. No.	Name of Parts	Q'ty	Parts No.	Assembly No.
1	Holder Cap	2	224475-001		21- 3	Tube 7 x 65	1	226671-001	
2	MD Carbon Brush Assembly	1			21- 4	Cord Holder #7	1	224504-001	
3	Insulation Sheet	2	224476-000		21- 5	Screw 4 x 8DB	1	216872-001	
4	Base	1	225938-002		22	Rotor #145	1		
5	Screw 6 x 10	1	062061-005		23	Washer 2 x 15 x 22ST	2	224485-000	
6	Pin 9.3 x 83	1	224540-001		24	Washer 2.3 x 15 x 26ST	1	224487-000	
7	Screw 6 x 8	2	014060-832		25	Bearing 6202VV #2	1	076202-601	
8	DC Bracket Assembly (L) #3	1			26	Key 5 x 5 x 20	1	231008-001	
9	Bolt (L) 10	1	210965-081		27	Washer 2.3 x 6.9 x 22ST	1	231009-001	
10	Nut 2-10	1	021100-206		28	Screw 5 x 12F	1	214897-001	
11	Washer 10	2	025100-236		29	Washer 0.3 x 27.5 x 34.9	1	203684-001	
12	Spring Washer 2-10	1	028100-246		30	Reacted Cord Assembly	1	229930-001	
13	MD Motor Assembly	1			31	Terminal Cord	1	228226-001	
14	MD Motor Label	1			32	Plug Pin	1	217133-001	
15	Connector #3	2	214808-000		33	Tube 11 x 370PV	1	228228-001	
17	Reactor 35 mh Assembly #2	1	228221-001		34	6P Plug Pin	1	219582-001	
18	Screw 4 x 10D	4	215080-001		35	Plug Cover #11	1	219603-001	
19	Reactor Cover	1	228222-001		36	Rubber Cushion #5	3	213646-001	
20	Screw 4 x 8DB	2	216872-001		37	Bolt 8 x 85	3	210973-001	
21	Frame Assembly #2	1	230431-001		38	Washer 2.3 x 8.5 x 38ST	3	213650-001	
21- 1	Yoke Assembly #2	1	230432-001		39	Spring Washer 2-8	3	028080-246	
21- 2	Thermister #5	1	229335-001		40	Nut 2-8	3	021080-206	

A. Motor Mechanism (2) / Motors (2)
 Mécanisme du Moteur (2) / Mecanismo del Motor (2)



Ref. No.	Name of Parts	Q'ty	Parts No.	Assembly No.	Ref. No.	Name of Parts	Q'ty	Parts No.	Assembly No.
41	Screw 6 x 150D	4	228216-001		47- 3	Screw 5 x 12F	3	214897-001	
42	DC Bracket (R) #3	1	230999-001		48	Washer 015 x 15.1 x 30ST	4	222753-000	
43	Bearing 6202VV #2	1	076202-601		49	Washer 01 x 15.1 x 30ST	4	219517-000	
44	Bearing Washer	1	231000-001		50	Brake (A10) Amature Assembly #4	1	231013-001	
45	Screw 4 x 12	4	061401-205		51	Pully	1		
46	Screw 5 x 20	3	051520-005		52	Nut 2	1	210240-001	
47	Brake (A10) Stator Assembly	1	230836-001		53	Screw 5 x 12	3	211528-001	
47- 1	Brake (A10) Stator	1	230837-001		54	Belt Cover	1	224507-002	
47- 2	Brake (A10) Lining	1	230838-001		55	Screw 4 x 10DC	3	224508-001	

※ Note:

Replace the asbestos brake with the cork brake.
 When ordering parts, please use the ref. no. 47 and 50 as a pair, and part no. 231163-001.

Hinweis:

※ Den Asbestbremsbelag durch einen Korkbremsbelag ersetzen. Zum Bestellen von Ersatzteilen die beiden Ref.-Nr. 47 und 50 zusammen und die Teile-Nr. 231163-001 angeben.

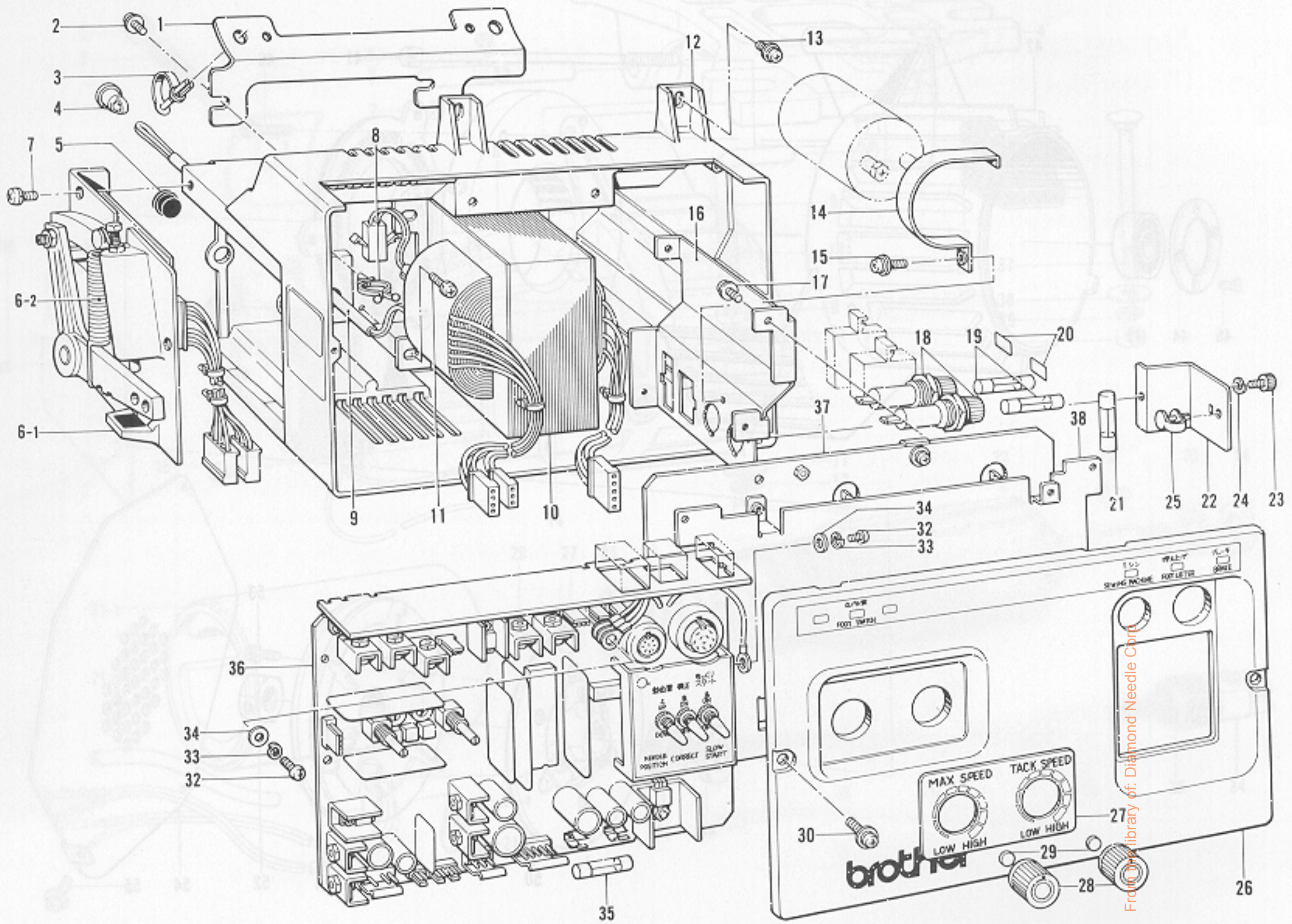
※ Remarque:

Remplacer le frein en amiant par le frein en liège.
 Lors de la commande de pièces détachées, utiliser les numéros de référence 47 et 50 et la pièce N° 231163-001.

※ Nota:

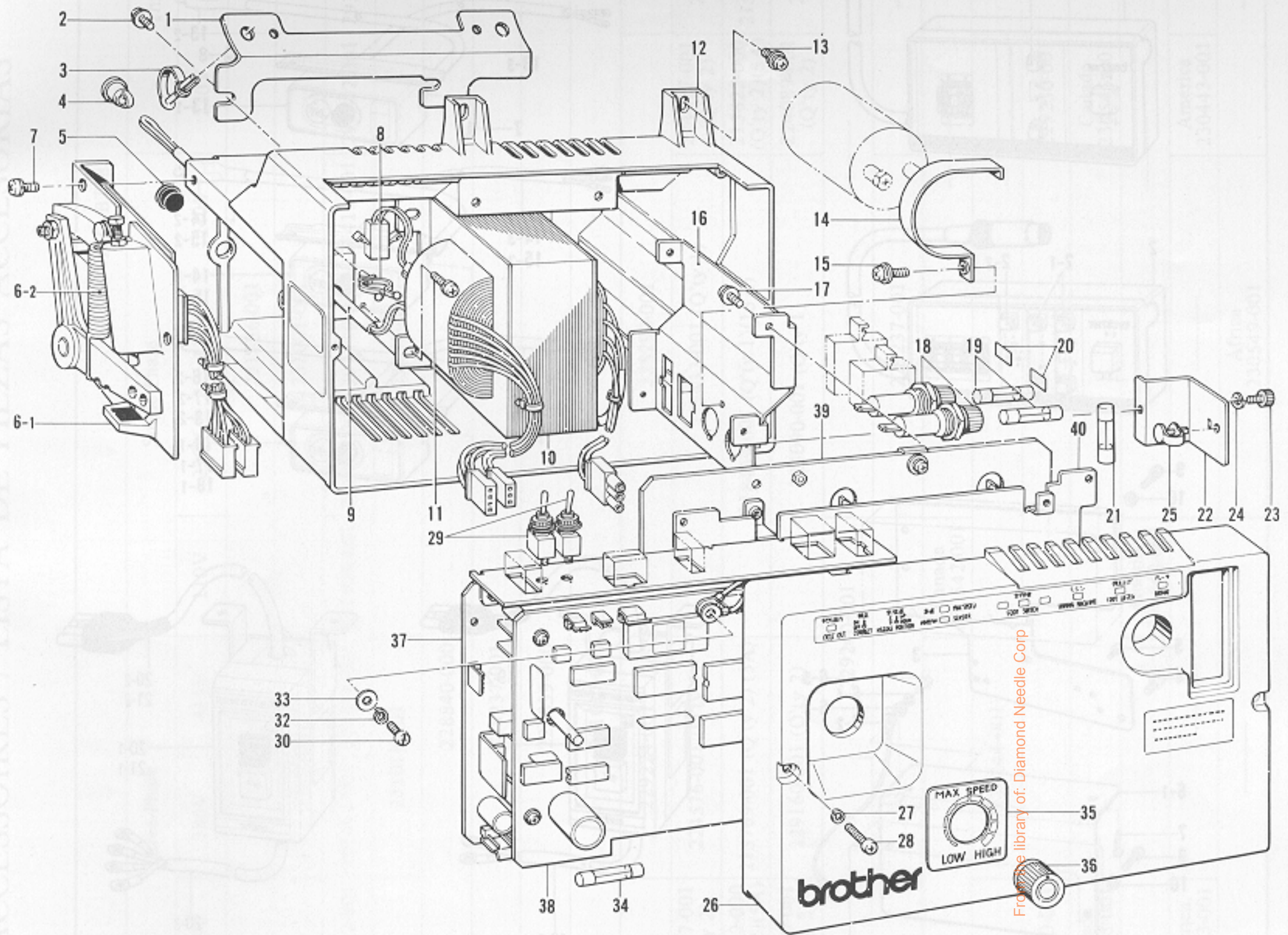
Cambiar el freno de amianto por un freno de corcho.
 Cuando se hace el pedido de piezas, usar los números de referencia 47 y 50 como un par, y el número de pieza 231163-001.

B. Control Box (B737) / Schaltkasten (B737)
 Mécanisme du boîtier de contrôle (B737)
 Mecanismo del caja de controles (B737)



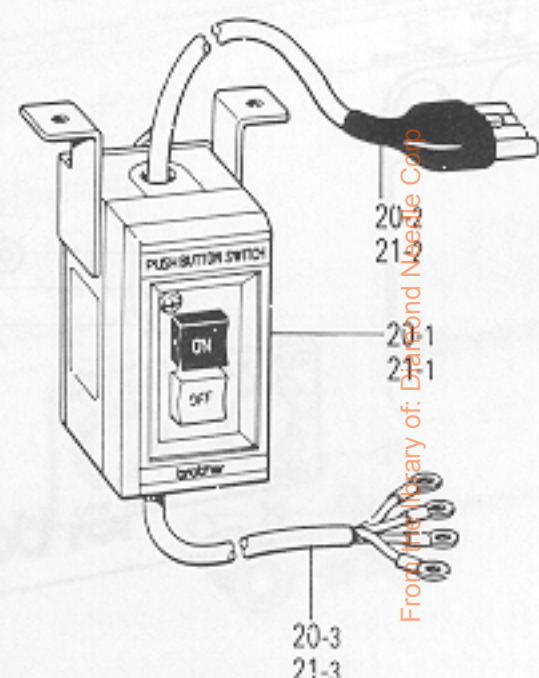
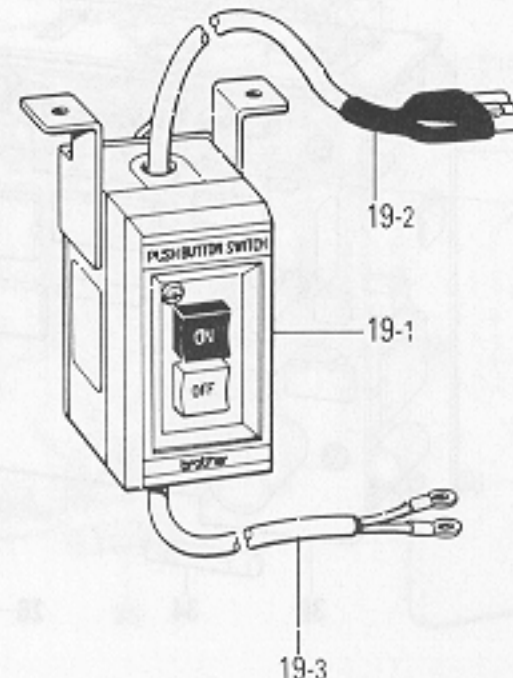
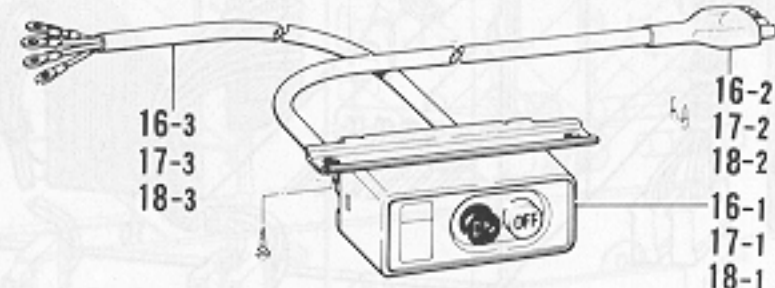
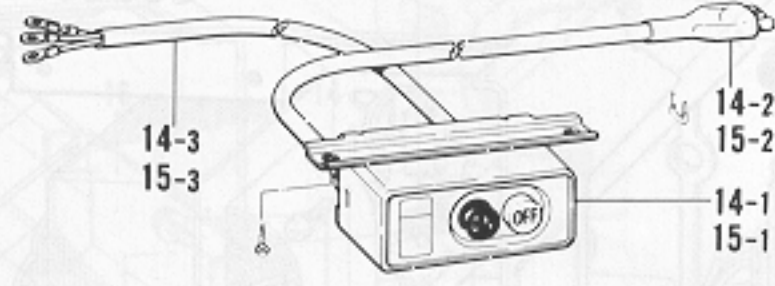
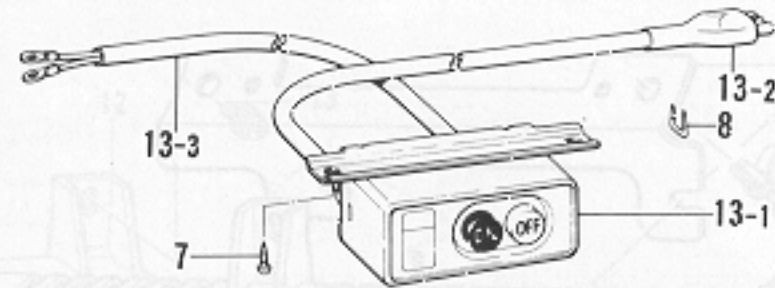
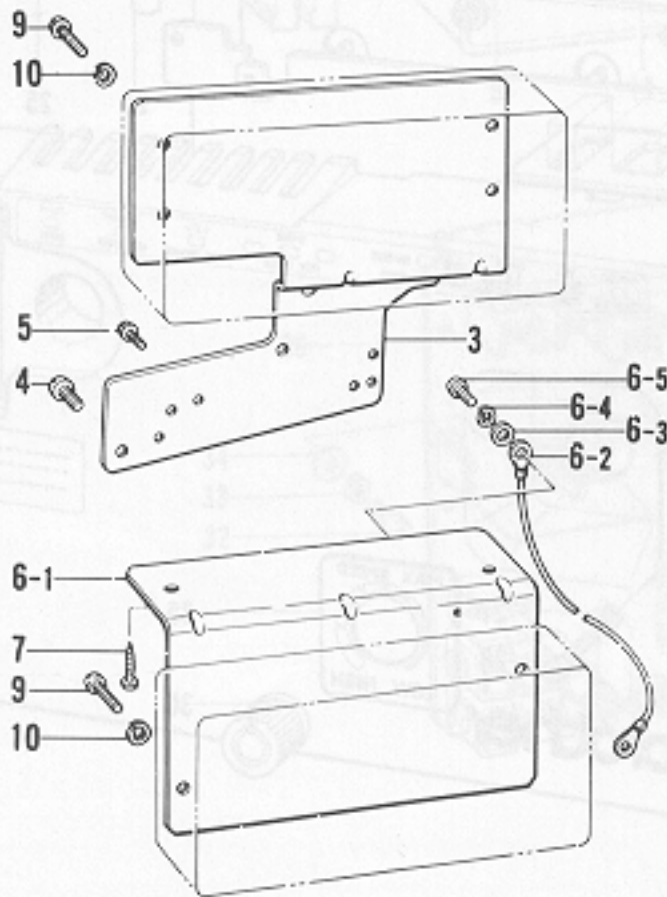
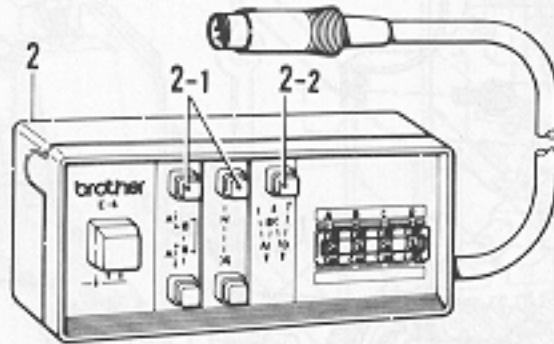
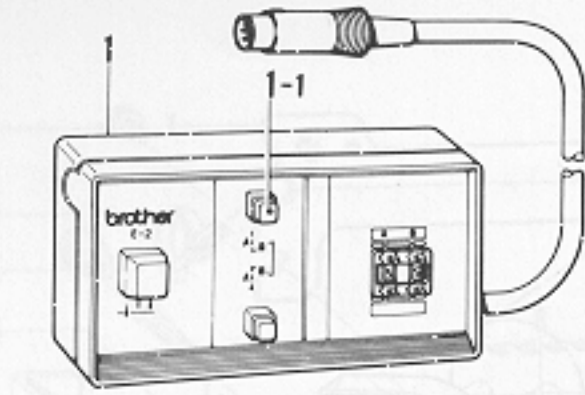
Ref. No.	Name of Parts	Q'ty	Parts No.	Assembly No.	Ref. No.	Name of Parts	Q'ty	Parts No.	Assembly No.
1	Install Plate	1	228277-001		19	Fuse			
2	Set Screw 5 x 12B	6	214447-001		20	Label			
3	Lead Clamper	2	224091-001		21	Fuse 1A	1	225432-001	
4	Bushing #61	1	215971-001		22	Fuse Cover	1	228280-001	
5	Oil Cap	1	104821-001		23	Bolt 4 x 8	1	018400-832	
6-1	P.S. Circuit Board	1	291443-001	B-6 Treadle Unit Assembly 291442-001	24	Spring Washer 2-4	1	028040-245	
6-2	Treadle Spring	1	231080-001		25	Lead Clamper	1	216740-001	
7	Set Screw 5 x 10D	3	216596-001		26	Cover	1	228281-001	
8	Perse Rock - 16	1			27	VR Indication Label	1	229559-001	
9	Varnish Glass	1	228284-001		28	VR Control Knob	2	221024-001	
10	Transformer	1			29	VR Spacer	2	228324-001	
11	Set Screw 4 x 8DB	4	216872-001		30	Screw 4 x 12D	2	217093-001	
12	Box	1	228287-001		32	Screw 4 x 10	2	062401-063	
13	Set Screw 5 x 12B	2	214447-001		33	Spring Washer 2-4	2	028040-245	
14	Condenser Bracket	1			34	Washer 4	2	025040-173	
15	Set Screw 4 x 8DB	3	216872-001		35	Fuse 8A	1	219225-000	
16	Connector Bracket	1			36	Control Circuit Unit 306B	1		
17	Set Screw 4 x 8DB	4	216872-001		37	Power Circuit Unit	1		
18	Fuse Holder Assembly				38	Circuit Setting Plate	1	228294-001	

C. Control Box (B738) / Schaltkasten (B738)
 Mécanisme du boîtier de contrôle (B738)
 Mecanismo del caja de controles (B738)



Ref. No.	Name of Parts	Q'ty	Parts No.	Assembly No.	Ref. No.	Name of Parts	Q'ty	Parts No.	Assembly No.
1	Install Plate	1	228277-001		20	Label			
2	Set Screw 5 x 12B	4	214447-001		21	Fuse 1A	1	225432-001	
3	Lead Clamper	2	224091-001		22	Fuse Cover	1	228280-001	
4	Bushing #61	1	215971-001		23	Bolt 4 x 8	1	018400-832	
5	Oil Cap	1	104821-001		24	Spring Washer 2-4	1	028040-245	
6-1	P.S Circuit Board	1	291443-001	C-6 Treadle Unit Assembly 291442-001	25	Lead Clamper	1	216740-001	
6-2	Treadle Spring	1	231080-001		26	Cover	1	228414-001	
7	Set Screw 5 x 10D	3	216596-001		27	Spring Washer 2-4	2	028040-245	
8	Perse Rock - 16	1			28	Screw 4 x 45	2	228415-001	
9	Varnish Glass	1	228284-001		29	BT Switch Code Assembly	2	228432-001	
10	Transformer	1			30	Screw 4 x 10	1	062461-063	
11	Set Screw 4 x 8DB	4	216872-001		32	Spring Washer 2-4	1	028040-245	
12	Box	1	228287-001		33	Washer 4	1	025040-173	
13	Set Screw 5 x 12B	2	214447-001		34	Fuse 8A	1	219225-000	
14	Condenser Bracket	1			35	VR Indication Label	1	229208-001	
15	Set Screw 4 x 8DB	3	216872-001		36	VR Control Knob	1	221024-001	
16	Connector Bracket	1			37	Control Circuit Unit 470DB	1		
17	Set Screw 4 x 8DB	4	216872-001		38	Control Circuit Unit 470C	1		
18	Fuse Holder Assembly				39	Power Circuit Unit	1		
19	Fuse				40	Circuit Setting Plate	1	228294-001	

D. Switch Box / Schaltkasten Boîtier d'interrupteurs / Caja de interruptores



Ref. No.	Name of Parts	Q'ty	Parts No.	Assembly No.	Ref. No.	Name of Parts	Q'ty	Parts No.	Assembly No.
1	Operation Box E-2	1	137209-90103		15- 1	2P Switch #19	1	225539-001	D-15
1- 1	Stop Sewing Switch Cap (Green)	2	291359-001		15- 2	3P Plug Assembly #10-3	1	230543-001	2P Switch Assembly #19-4
2	Operation Box E4	1	137209-90203		15- 3	Electric Supply Cord	1	230544-001	230542-001
2- 1	Stop Sewing Switch Cap (Green)	4	291359-001		16- 1	3P Switch #11	1	224510-001	D-16
2- 2	Stop Sewing Switch Cap (Red)	1	291359-002		16- 2	4P Plug Assembly #11-3	1	229245-001	2P Switch Assembly #11-6
3	DC Install Plate	1	228500-001		16- 3	Electric Supply Cord #5	1	229246-001	229244-001
4	Screw 437-40 x 12	2	062681-212		17- 1	3P Switch #11	1	224510-001	D-17
5	Screw 357-40 x 12	2	062671-212		17- 2	4P Plug Assembly #11	1	228272-001	3P Switch Assembly #11-7
6- 1	DC Install Plate #3	1			17- 3	Electric Supply Cord #3	1	224513-001	229250-001
6- 2	Terminal	1	225819-001	D-6	18- 1	3P Switch #11	1	224510-001	D-18
6- 3	Washer 4	1	025040-173	DC Install Plate Assembly #3	18- 2	4P Plug Assembly #11-5	1	230546-001	3P Switch Assembly #11-8
6- 4	Spring Washer 2-4	1	028040-245	291109-001	18- 3	Electric Supply Cord	1	230547-001	230545-001
6- 5	Screw 4 x 10	2	062401-063		19- 1	2P Switch #16	1	223739-001	D-19
7	Screw 4.5 x 16	2	S03816-001		19- 2	3P Plug Assembly #10	1	228243-001	2P Switch Assembly #16-2
8	Staple	5	200190-001		19- 3	Electric Supply Cord	1	230876-001	230548-001
9	Screw 4 x 25	2	062402-502		20- 1	3P Switch #9-3	1	223738-001	D-20
10	Spring Washer 2-4	2	028040-242		20- 2	4P Plug Assembly #11-4	1	230444-001	3P Switch Assembly #9-11
13- 1	2P Switch #9	1	225539-001	D-13	20- 3	Electric Supply Cord	1	230445-001	230443-001
13- 2	3P Plug Assembly #10	1	228243-001	2P Switch Assembly #19-3	21- 1	3P Switch #9	1	215504-001	D-21
13- 3	Electric Supply Cord	1	229241-001	229240-001	21- 2	4P Plug Assembly #11-6	1	230550-001	3P Switch Assembly #9-12
14- 1	2P Switch #19	1	225539-001	D-14	21- 3	Electric Supply Cord	1	230551-001	230549-001
14- 2	3P Plug Assembly #10-2	1	229238-001	2P Switch Assembly #19-2					
14- 3	Electric Supply Cord #2	1	229239-001	229237-001					

DIFFERENT PARTS LIST / ZUBEHÖRLISTE
LISTE DES PIÈCES ACCESSOIRES / LISTA DE PIEZAS ACCESORIAS

Ref. No.	Head Machine Sub-Class Name of Parts Volt	DB2-B737							DB2-B738							
		Single-Phase				Three-Phase			Single-Phase				Three-Phase			
		110V	220V	230V	240V	220V	380V	415V	110V	220V	230V	240V	220V	380V	415V	
A-2	MD Carbon Brush Assembly	231556-001				231558-001			231556-001				231558-001			
A-8	DC Bracket Assembly (L) #3	231001-001				231003-001			231001-001				231003-001			
A-13	MD Motor Assembly	291408-001	291409-001	291410-001	291411-001	291412-001	291413-001	291414-001	291408-001	291409-001	291410-001	291411-001	291412-001	291413-001	291414-001	
A-22	Rotor #145	231004-001				231018-001			231004-001				231018-001			
A-51	Pully M80-1								228840-000							
A-51	Pully M90-1								228237-001							
A-51	Pully M105-1								228839-000							
A-51	Pully M125-2								231017-001							
B-8 C	Perse Rock-16	228290-001				229224-001			228290-001				229224-001			
B-18 C	Fuse Holder Assembly	225433-001 (Q'ty 1)				224087-001 (Q'ty 2)	224576-001 (Q'ty 2)		225433-001 (Q'ty 1)				224087-001 (Q'ty 2)	224576-001 (Q'ty 2)		
B-19 C	Fuse	218469-001 (Q'ty 1)(15A)				215822-000 (Q'ty 2)(5A)	215769-001 (Q'ty 2) (3A)		218469-001 (Q'ty 1)(15A)				215822-000 (Q'ty 2)(5A)	215769-001 (Q'ty 2)(3A)		
B-20 C	Label	224090-001 (Q'ty 1)				224089-001 (Q'ty 2)	229160-001 (Q'ty 2)		224090-001 (Q'ty 1)				224089-001 (Q'ty 2)	229160-001 (Q'ty 2)		
D-13	2P Switch Assembly #19-3	229240-001							229240-001							
D-14	2P Switch Assembly #19-2	229237-001							229237-001							
D-15	2P Switch Assembly #19-4	Canada 230542-001							Canada 230542-001							
D-16	3P Switch Assembly #11-6					229244-001							229244-001			
D-17	3P Switch Assembly #11-7					229250-001							229250-001			
D-18	3P Switch Assembly #11-8					Canada 230545-001							Canada 230545-001			
D-19	2P Switch Assembly #16-2	America 230548-001							America 230548-001							
D-20	3P Switch Assembly #9-11					America 230443-001							America 230443-001			
D-21	3P Switch Assembly #9-12					Africa 230549-001							Africa 230549-001			

From the Gray of Diamond Needle Corp

**DIFFERENT PARTS LIST / ZUBEHÖRLISTE
LISTE DES PIÈCES ACCESSOIRES / LISTA DE PIEZAS ACCESORIAS**

1 Phase

Ref. No.	Name of Parts	Volt	1 Phase, 110V		1 Phase, 220V		1 Phase, 230V		1 Phase, 240V	
		Model	B737	B738	B737	B738	B737	B738	B737	B738
B-36	Control Circuit Unit 300B		291270-110	—	291270-123	—	291270-123	—	291270-123	—
C-37	Control Circuit Unit 470DB		—	291271-110	—	291271-123	—	291271-123	—	291271-123
C-38	Control Circuit Unit 470C 25		—	291272-001	—	291272-001	—	291272-001	—	291272-001
B-37 C-39	Power Circuit Unit		291273-001			291274-001				
B C-10	Transformer	6V	229963-001	229946-001	229643-001	229218-001	229645-001	229222-001	229646-001	229223-001
		12V	—	—	230660-001	230661-001	—	—	231335-001	231336-001

3 Phase

Ref. No.	Name of Parts	Volt	3 Phase, 220V, 240V		3 Phase, 380V		3 Phase, 415V	
		Model	B737	B738	B737	B738	B737	B738
B-36	Control Circuit Unit 300B		291270-323	—	291270-340	—	291270-340	—
C-37	Control Circuit Unit 470DB		—	291271-323	—	291271-340	—	291271-340
C-38	Control Circuit Unit 470C 25		—	291272-001	—	291272-001	—	291272-001
B-37 C-39	Power Circuit Unit		291275-001			291276-001		
B C-10	Transformer	6V	229643-001	229218-001	229561-001	229219-001	230214-001	230435-001
		12V	—	—	229623-001	229220-001	229644-001	229221-001

LISTE DES PIÈCES ACCESSOIRES / LISTA DE PIEZAS ACCESORIAS
DIFFERENT PARTS LIST / ZUBEHÖRLISTE

From the Library of Diamond Needle Corp.

INDEX / VERZEICHNIS / INDEX / INDICE

Parts No.	Ref. No.	Remark	Parts No.	Ref. No.	Remark	Parts No.	Ref. No.	Remark	Parts No.	Ref. No.	Remark
S03816-001	D- 7		218469-001	C-19		228840-000	A-51		230837-001	A-47- 1	
014060-832	A- 7		219225-000	B-35		229160-001	B-20		230838-001	A-47- 2	
018400-832	B-23			C-34			C-20		230876-001	D-19- 3	
	C-23		219517-000	A-49		229208-001	C-35		230999-001	A-42	
021080-206	A-40		219582-001	A-34		229218-001	B-10		231000-001	A-44	
021100-206	A-10		219603-001	A-35			C-10		231001-001	A- 8	
025040-173	B-34		221024-001	B-28		229219-001	B-10		231003-001	A- 8	
	C-33			C-36			C-10		231004-001	A-22	
	D- 6- 3		222753-000	A-48		229220-001	B-10		231008-001	A-26	
025100-236	A-11		223738-001	D-20- 1			C-10		231009-001	A-27	
028040-242	D-10		223739-001	D-19- 1		229221-001	B-10		231013-001	A-50	
028040-245	B-24		224087-001	B-18 C-18			C-10		231017-001	A-51	
	B-33		224089-001	B-20		229222-001	B-10		231018-001	A-22	
	C-24			C-20			C-10		231080-001	B- 6- 2	
	C-27		224090-001	B-20		229223-001	B-10			C- 6- 2	
	C-32			C-20			C-10		231335-001	B-10	
	D- 6- 4		224091-001	B- 3		229224-001	B- 8			C-10	
028080-246	A-39			C- 3			C- 8		231336-001	B-10	
028100-246	A-12		224475-001	A- 1		229237-001	D-14			C-10	
051520-005	A-46		224476-000	A- 3		229238-001	D-14- 2		231556-001	A- 2	
061401-205	A-45		224485-000	A-23		229239-001	D-14- 3		231558-001	A- 2	
062061-005	A- 5		224487-000	A-24		229240-001	D-13		291109-001	D- 6	
062401-063	B-32		224504-001	A-21- 4		229241-001	D-13- 3		291270-110	B-36	
	C-30		224507-002	A-54		229244-001	D-16		291270-123	B-36	
	D- 6- 5		224508-001	A-55		229245-001	D-16- 2		291270-323	B-36	
062402-502	D- 9		224510-001	D-16- 1		229246-001	D-16- 3		291270-340	B-36	
062671-212	D- 5			D-17- 1		229250-001	D-17		291271-110	C-37	
062681-212	D- 4			D-18- 1		229335-001	A-21- 2		291271-123	C-37	
076202-601	A-25		224513-001	D-17- 3		229559-001	B-27		291271-320	C-37	
	A-43		224540-001	A- 6		229561-001	B-10		291271-340	C-37	
104821-001	B- 5		224576-001	B-18			C-10		291272-000	C-38	
	C- 5			C-18		229623-001	B-10		291273-000	B-37	
200190-001	D- 8		225432-001	B-21			C-10			C-39	
203684-001	A-29			C-21		229643-001	B-10		291274-000	B-37	
210240-001	A-52		225433-001	B-18			C-10			C-39	
210965-081	A- 9			C-18		229644-001	B-10		291275-000	B-37	
210973-001	A-37		225539-001	D-13- 1			C-10			C-39	
211528-001	A-53			D-14- 1		229645-001	B-10		291276-000	B-37	
213646-001	A-36			D-15- 1			C-10			C-39	
213650-001	A-38		225819-001	D- 6- 2		229646-001	B-10		291359-001	D- 1- 1	
214447-001	B- 2		225938-002	A- 4			C-10			D- 2- 1	
	B-13		226671-001	A-21- 3		229930-001	A-30		291359-002	D- 2- 2	
	C- 2		228216-001	A-41		229946-001	B-10		291408-001	A-13	
	C-13		228221-001	A-17			C-10		291409-001	A-13	
214808-000	A-15		228222-001	A-19		229963-001	B-10		291410-001	A-13	
214897-001	A-28		228226-001	A-31			C-10		291411-001	A-13	
	A-47- 3		228228-001	A-33		230214-001	B-10		291412-001	A-13	
215080-001	A-18		228237-001	A-51			C-10		291413-001	A-13	
215504-001	D-21- 1		228243-001	D-13- 2		230431-001	A-21		291414-001	A-13	
215769-001	B-19			D-19- 2		230432-001	A-21- 1		291442-001	B- 6	
	C-19		228272-001	D-17- 2		230435-001	B-10			C- 6	
215822-000	B-19		228277-001	B- 1			C-10		291443-001	B- 6- 1	
	C-19			C- 1		230443-001	D-20			C- 6- 1	
215971-001	B- 4		228280-001	B-22		230444-001	D-20- 2		137209-90103	D- 1	
	C- 4			C-22		230445-001	D-20- 3		137209-90203	D- 2	
216596-001	B- 7		228281-001	B-26		230542-001	D-15				
	C- 7		228284-001	B- 9		230543-001	D-15- 2				
216740-001	B-25			C- 9		230544-001	D-15- 3				
	C-25		228287-001	B-12		230545-001	D-18				
216872-001	A-20			C-12		230546-001	D-18- 2				
	A-21- 5		228290-001	B- 8		230547-001	D-18- 3				
	B-11			C- 8		230548-001	D-19				
	B-15		228294-001	B-38		230549-001	D-21				
	B-17			C-40		230550-001	D-21- 2				
	C-11		228324-001	B-29		230551-001	D-21- 3				
	C-15		228414-001	C-26		230660-001	B-10				
	C-17		228415-001	C-28			C-10				
217093-001	B-30		228432-001	C-29		230661-001	B-10				
217133-001	A-32		228500-001	D- 3			C-10				
218469-001	B-19		228839-000	A-51		230836-001	A-47				

From the library of: Dr. Ramon N. N. N. N.